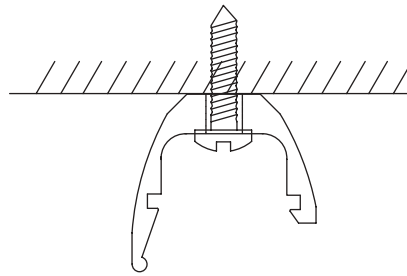
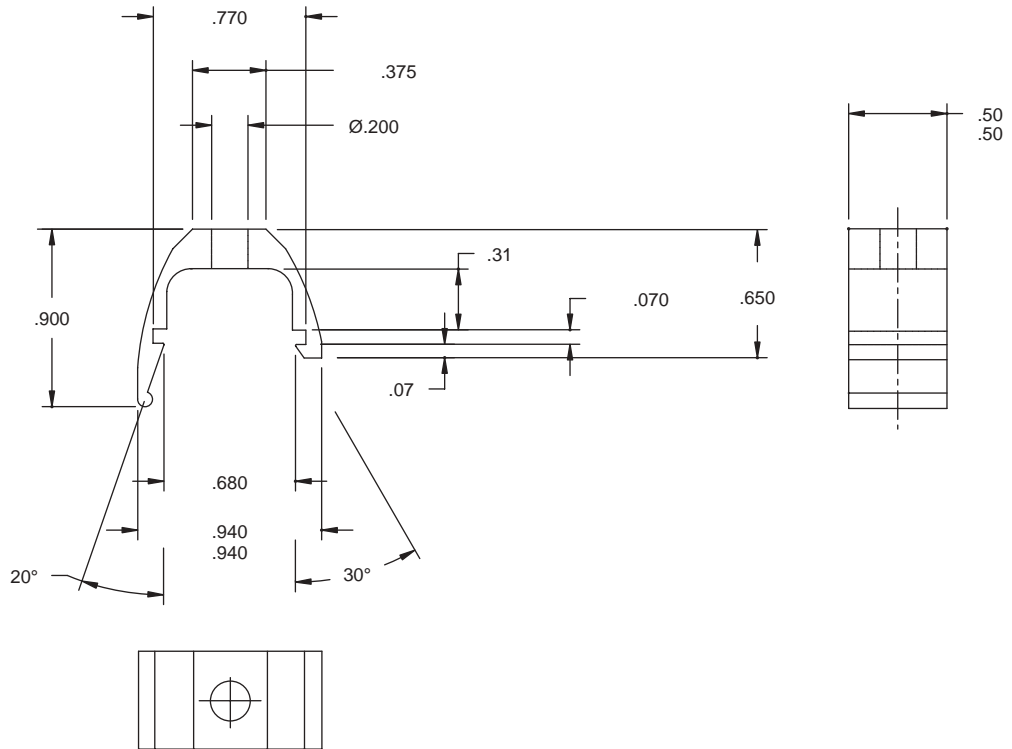


CORNER SURFACE MOUNT



FLAT SURFACE MOUNT



NOTE:

- 1. MATERIAL: POLYCARBONATE (CLEAR LEXAN # 201-112)

LED[®]
LEDTRONICS, INC.
 23105 KASIWA COURT
 TORRANCE, CA 90505

-PROPRIETARY-
 This document contains Proprietary information of LEDTRONICS, INC.. It may not be copied, used or disclosed for any purpose without the prior express written consent of LEDTRONICS, Inc..

.XXX ± .010 TOLERANCE PER ANSI-Y14.5
 .XX ± .025 (UNLESS OTHERWISE STATED)
 ANGLES ± 0°, 30' DIM: INCH [mm]
 FRACT. ± 1/32

TITLE				MTG-CLIP-STP-002 CUSTOMER			
DWG NO		SCALE		SHEET		DATE	
CMHD0172		1:1		1 OF 1		11-11-05	
CODE IDENT NO.	DWG BY	CHK BY	QA	MNFG	CUSTOMER		
8Z410	AM	PL 02-22-06	GZ 02-21-06				